

VER	APPD.	DATE	AMENDMENT
0	APR 08	REVISED AND REISSUED	

REFERENCES:
CGG4.12
CGG4.13

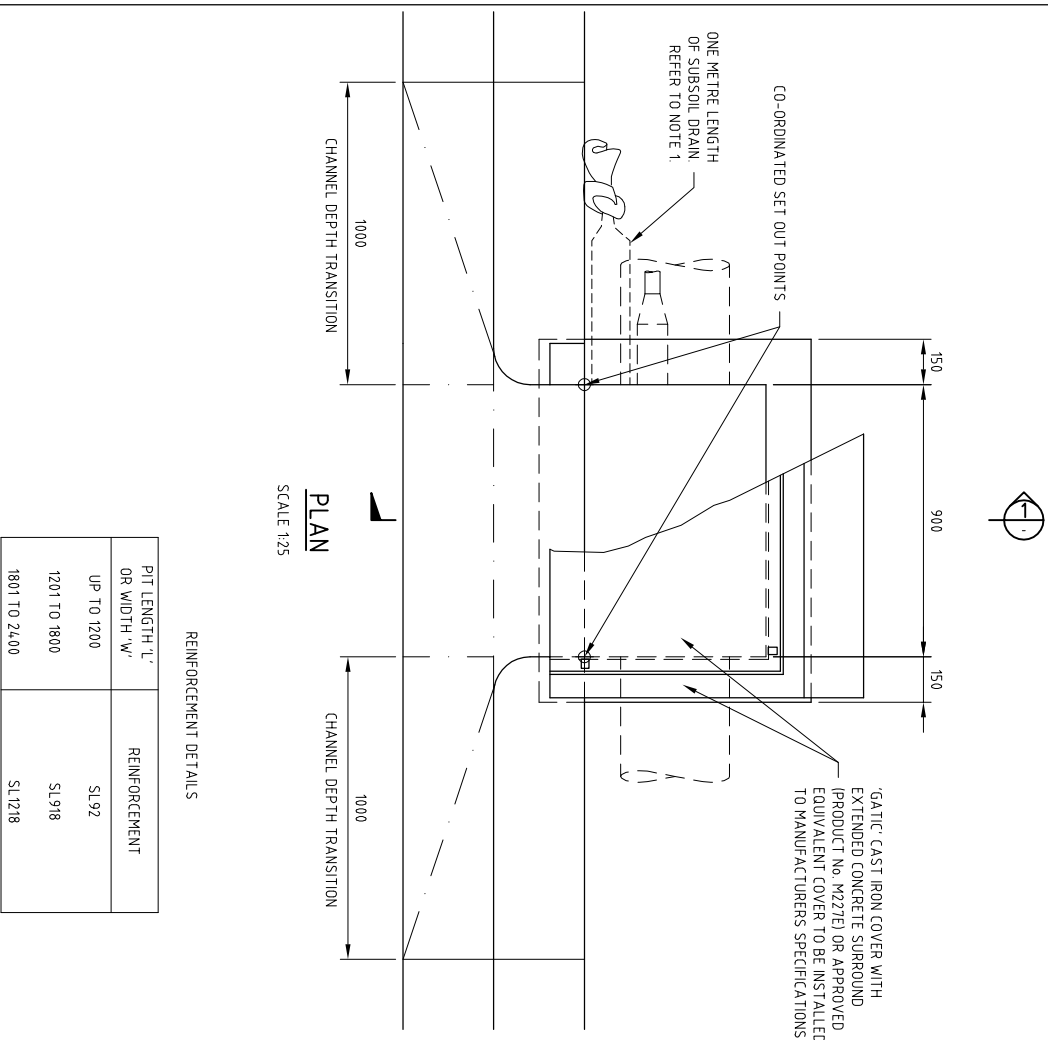
APPROVED:
D Hannah
Manager Engineering Services
Date: April 2008



STANDARD DETAIL
SIDE ENTRY PIT-0.9m INLET WITH CAST IRON COVER & CONCRETE SURROUND FOR 'FM4'

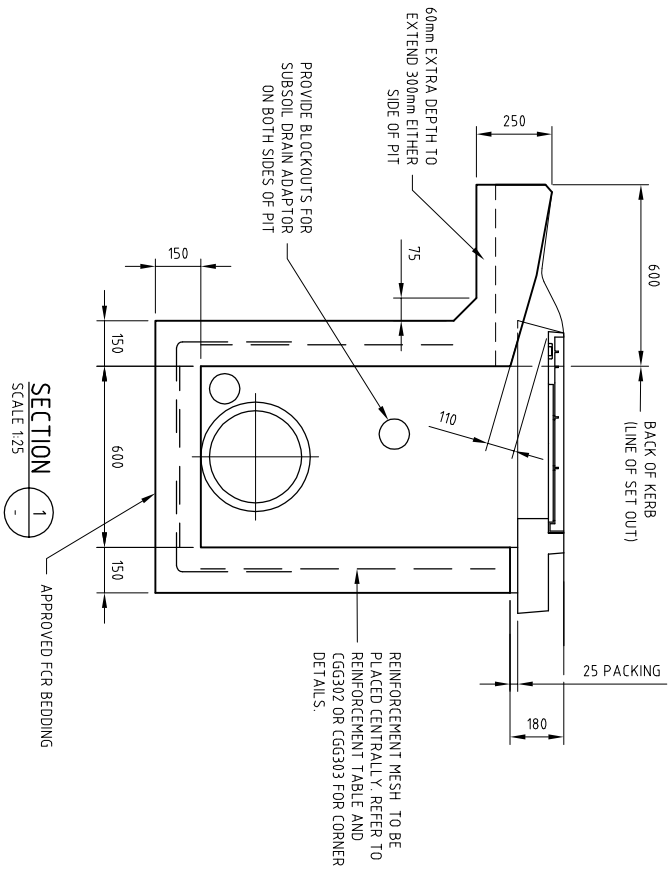
DRAWING No:
CGG311

AMENDMENT:
0



REINFORCEMENT DETAILS

PIT LENGTH 'L' OR WIDTH 'W'	REINFORCEMENT
UP TO 1200	SL92
1201 TO 1800	SL978
1801 TO 2400	SL1218



NOTE:
1. WHERE PIPE IS BEHIND KERB AND CHANNEL, INSTALL ONE METRE (1m) MINIMUM OF APPROVED 90° CLASS 400 SLOTTED/PERFORATED SUBSOIL DRAIN WITH GEOTEXTILE SOCK SURROUND INTO UPSTREAM SIDE OF PIT IN LIEU OF SUB-SOIL DRAINAGE BEHIND KERB.

REINFORCEMENT MESH TO BE PLACED CENTRALLY. REFER TO REINFORCEMENT TABLE AND CGG302 OR CGG303 FOR CORNER DETAILS.